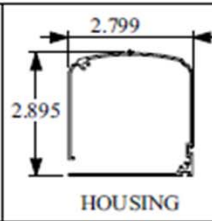
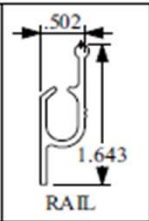
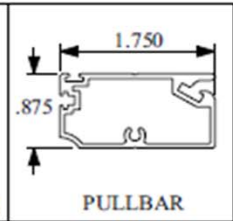
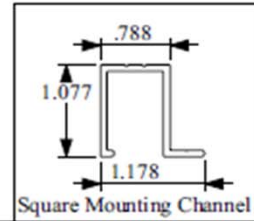
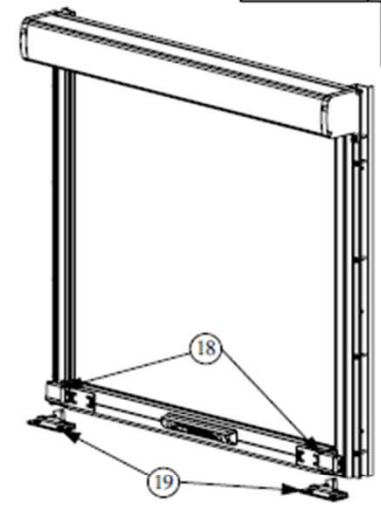


ITEM NO.	DESCRIPTION	Default/QTY
1	Roller	1
2	Handle	1
3	Pull Bar End Cap-Spring	1
4	Pull Bar End Cap-Pin	1
5	Handle Plug	2
6	#8 x 1 Panhead Tek	4
7	#8 x 3/4 Panhead Tek	8
8	#8 x 1-1/2 Panhead Tek	2
9	Strike Plate *Standard	2
10	Magnet *Standard	2
11	End Cap-Pin Side	1
12	End Cap-Spring Side	1
13	Housing	1
14	Pullbar	1
15	Square Mounting Channel	2
16	#6 x 2 Flathead Stainless	6
17	Rail	2
18	Grabber Catch *Optional	2
19	Latch Base Plate *Optional	2

Motor Specs.	Description	Volts	Torque (Nm)	Speed (rpm)	Power (Watt)	Current (amp)
	T3.5 EHz	12 V	6	18	24	2



<b>PANORAMALITE</b>		
SIZE <b>A</b>	DWG. NO.	REV.
SCALE 1:20	WBCHT:	SHEET 1 OF 1